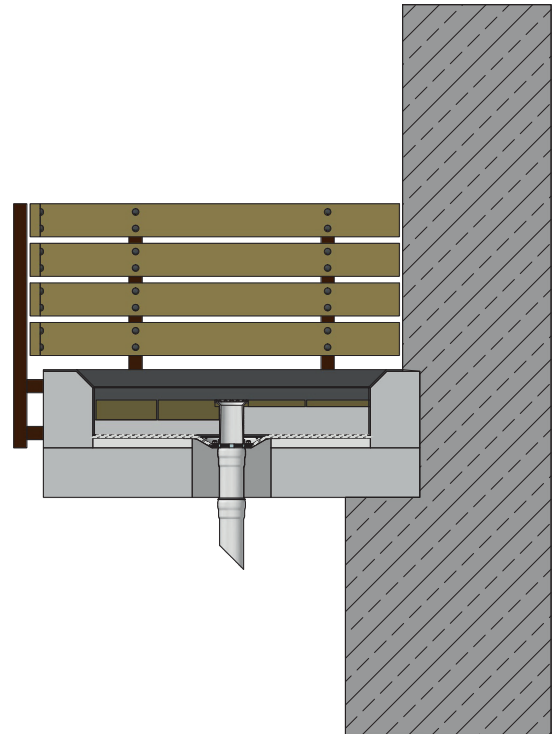


Specification Sheet LX 1058

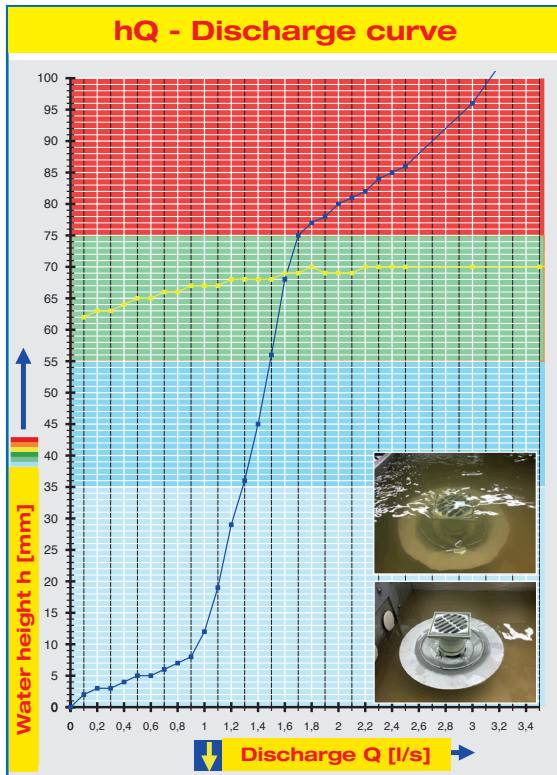
Balcony Drainage Series K, vertical runoff, for balcony floors

Main drainage	
Gravity flow	
Silent Power	
Discharge:	1.3 l/s
Water height:	35 mm
Roof penetration:	140 mm
Diameter:	DN 50
LX-Number:	LX 1058
Weir height:	0 mm
Drain:	ventilated
Downpipe:	not ventilated
Downpipe height:	2.75 m
Drainage:	into ground pipe
Flange:	clamping flange

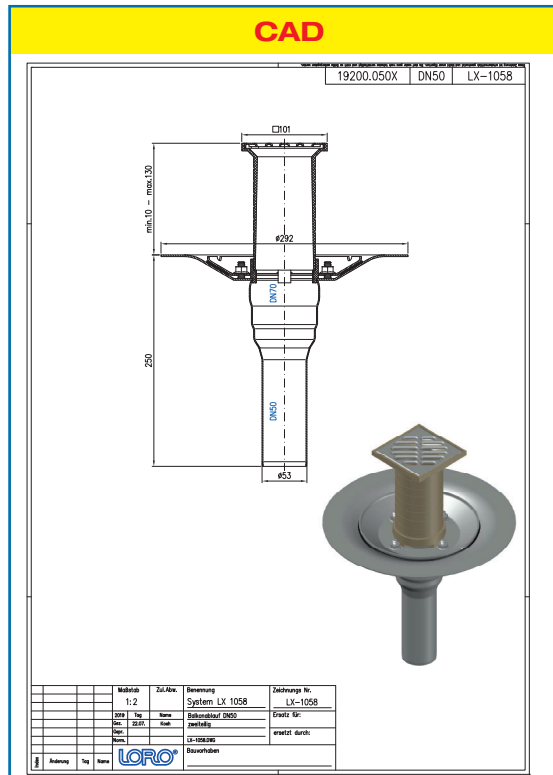


LX 1058 Piece list

- 1 x Art.-No. Choose drain on page 2!
- 1 x Art.-No. 00911.050X, LORO-X Sealing elements
- 1 x Art.-No. 00986.000X, LORO-X Lubricant



System power



System shape

Water height	mm	10	15	20	25	30	35	40	45	50	55	60	65	70	75	80	85	90	95
Discharge	l/s		1,05	1,1	1,15	1,2	1,3	1,35	1,4	1,45	1,5	1,55	1,6	1,6	1,7	2,0			
Silent																			

Please choose a suitable drain!

DN 50

with strainer unit for balcony floors without thermal insulation

LX1058-12X

Drain Art.-No. 19200.050X

with clamping flange,
Series K

weight: 2.4 kg

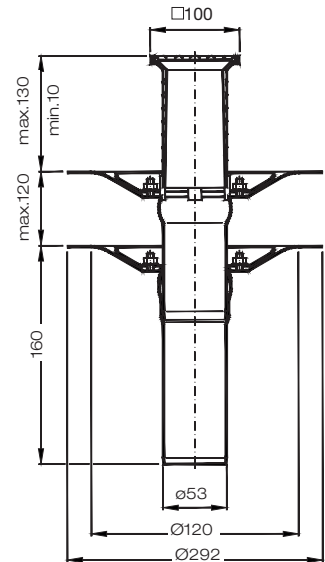
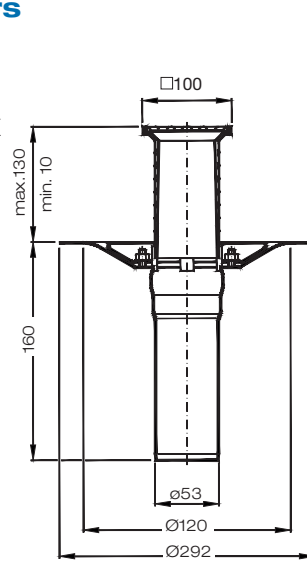
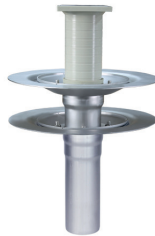


LX1058-13X

Drain Art.-No. 19250.050X

with clamping flange,
Series K

weight: 4.8 kg



with strainer unit for balcony floors with thermal insulation

LX1058-14X

Drain Art.-No. 19210.050X

with clamping flange,
Series K

weight: 2.7 kg



LX1058-15X

Drain Art.-No. 19260.050X

with clamping flange,
Series K

weight: 5.0 kg

